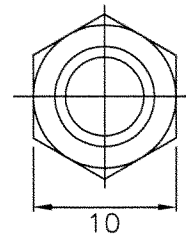
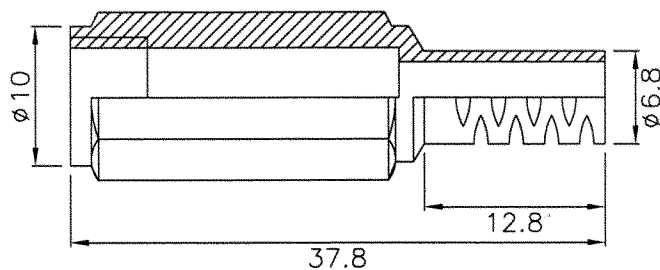
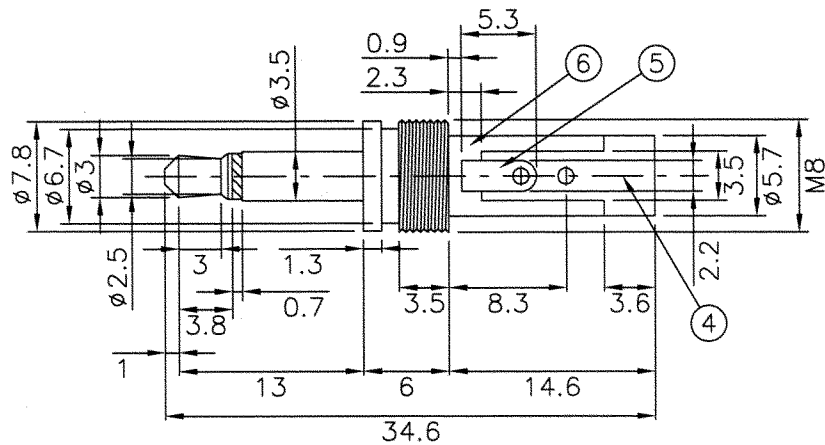


No	DESCRIPTION	MATERIAL	FINISH
1.	CONTACT HEAD	BRASS	NICKEL PLATED
2.	INSULATOR	POM	BLACK COLOR
3.	SLEEVE	BRASS	NICKEL PLATED
4.	EARTH TERMINAL	BRASS	NICKEL PLATED
5.	TIP TERMINAL	BRASS	NICKEL PLATED
6.	TERMINAL INSULATOR	POM	WHITE COLOR
7.	PLASTIC COVER	PE	BLACK COLOR

TOLERANCE: ±0.3MM UNLESS OTHERWISE SPECIFIED



9615 SW Allen, Suite 103  
 Beaverton, OR 97005  
 Phone: (503) 643-4899  
 800-275-4899  
 Fax: (503) 643-6129  
 Website: www.cui.com

TITLE: <b>3.5Ø MONO PHONE PLUG</b>		
PART NO. MP-3501	UNITS: Millimeters	
DRAWN BY: Todd R. White	APPROVED BY:	SCALE: 2X